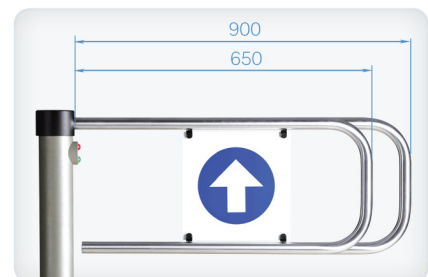
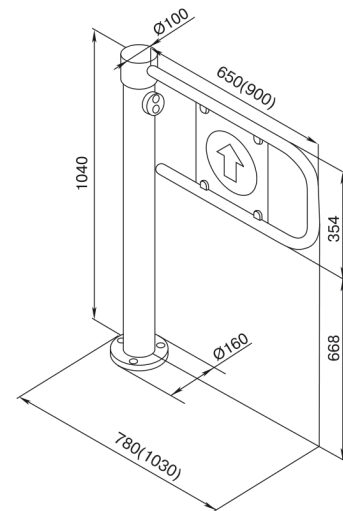
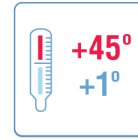
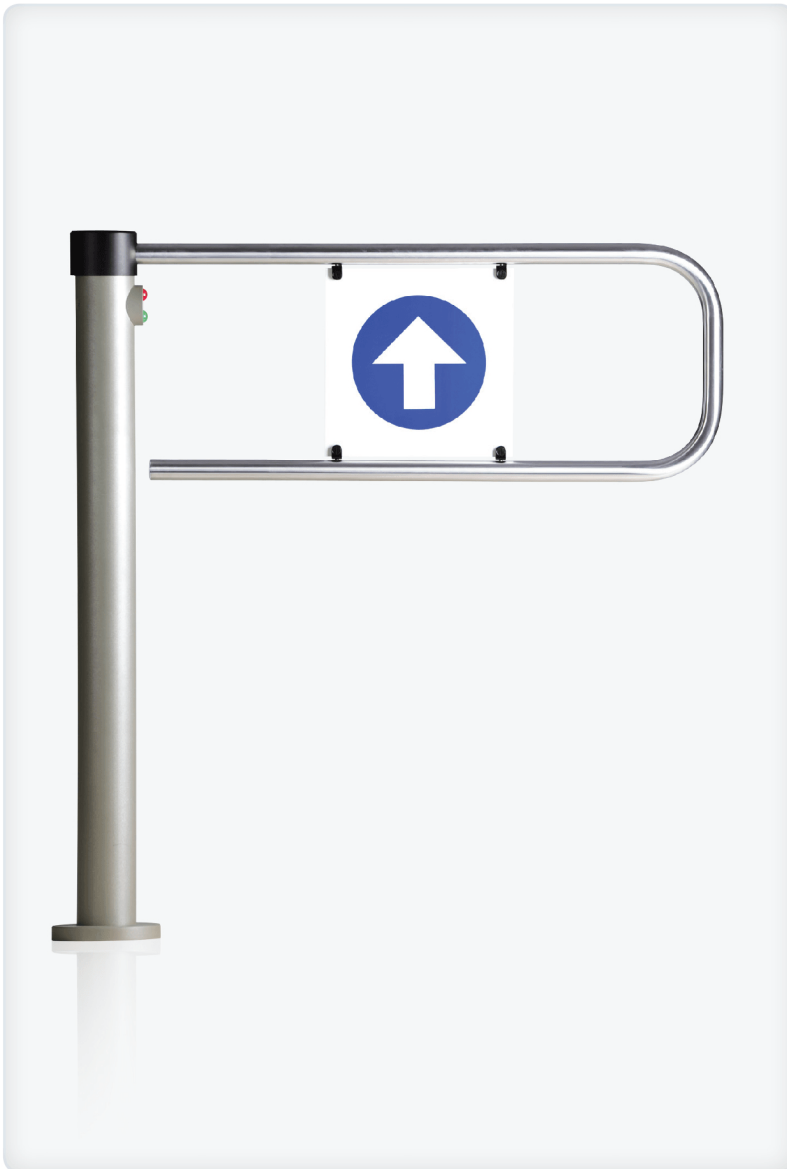


WHD-05 SWING GATE



Application

An economical access control solution which is often used to control one-way pedestrian traffic. The WHD-05 swing gate can be supplied with two types of swing panel: 650 mm or 900 mm. The extended 900 mm swing panel ensures a comfortable access of people in wheelchairs, mothers pushing prams or shoppers carrying bulky goods.

Delivery set

- gate post
- control unit with power supply and battery
- remote control panel
- swing panel 650/900 mm

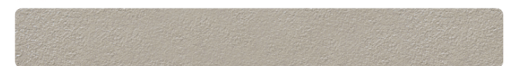
Design

- Fail-safe operation – free swing upon power loss.

When the gate is unlocked by the signal from the remote control panel or access control system, the entrant should push the swing panel in the direction of authorized passage. The gate will smoothly return to home position after the passage is complete. If required, one of the passage directions can be mechanically locked.

Materials and Finishes

Gate post – powder coated steel
 Swing panel – brushed stainless steel
 Filler panel – double-sided info sign, reinforced plastic
 Sandpaper powder coating with pearl mica effect:



light beige



dark grey



Red/green status lights